

ZAXIS-7 series

HITACHI

Reliable solutions

# ZAXIS135/150/155W



## WHEELED EXCAVATOR

Model code : ZX135W-7

Engine rated power : 105 kW (ISO 14396) /  
100 kW (ISO 9249)

Operating weight : 14 500 – 15 900 kg

Bucket ISO heaped : 0.19 – 0.66 m<sup>3</sup>

Model code : ZX150W-7

Engine rated power : 105 kW (ISO 14396) /  
100 kW (ISO 9249)

Operating weight : 15 300 – 17 200 kg

Bucket ISO heaped : 0.19 – 0.66 m<sup>3</sup>

Model code : ZX155W-7

Engine rated power : 105 kW (ISO 14396) /  
100 kW (ISO 9249)

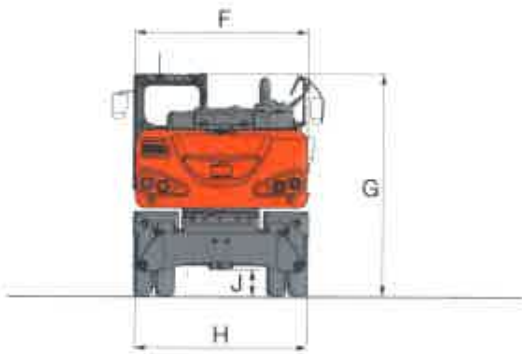
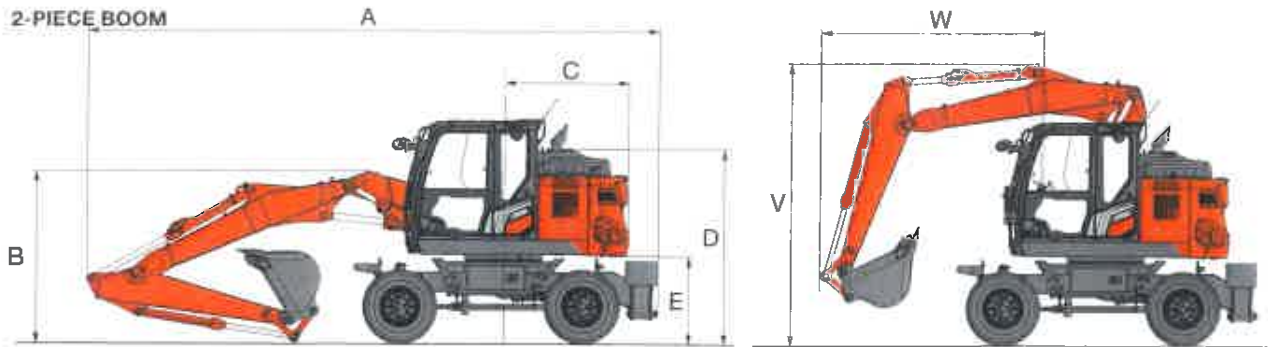
Operating weight : 16 200 – 17 600 kg

Bucket ISO heaped : 0.19 – 0.66 m<sup>3</sup>

# SPECIFICATIONS

ZX135W-7

## DIMENSIONS



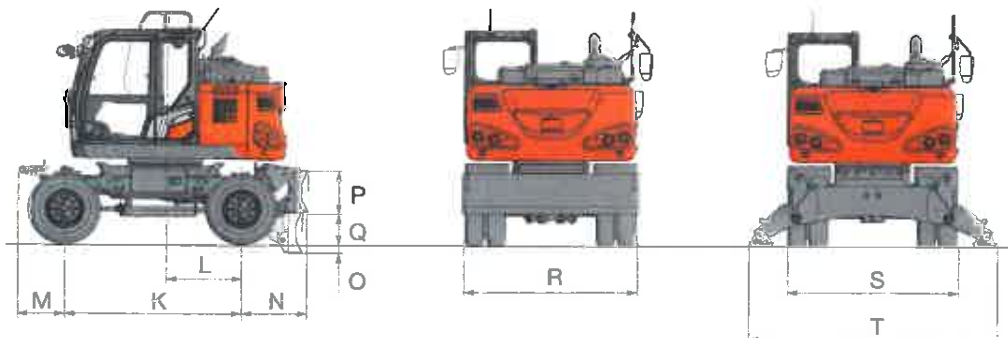
### FRONT BLADE AND REAR OUTRIGGER



### FRONT AND REAR OUTRIGGER



### REAR BLADE

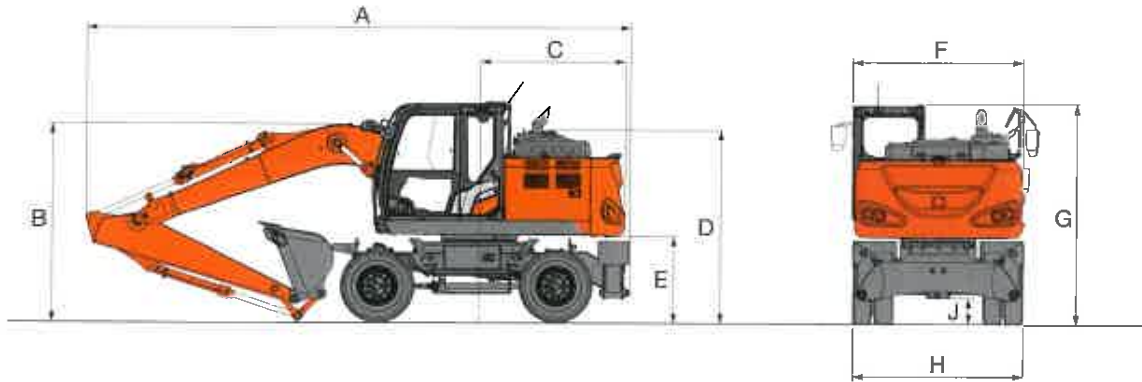


# SPECIFICATIONS

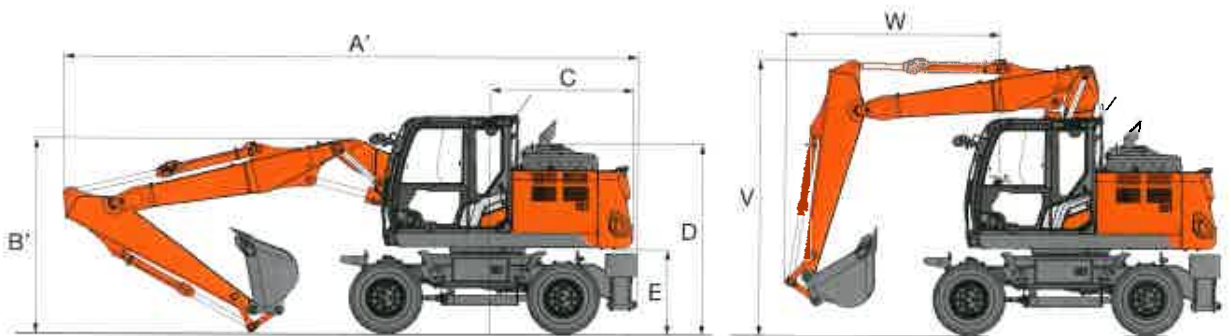
## ZX150W-7

### DIMENSIONS

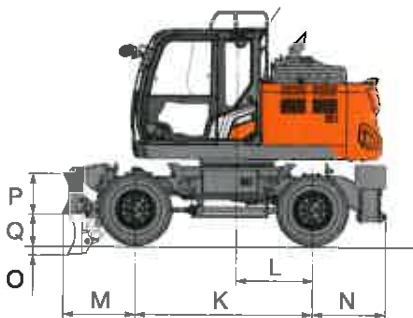
#### MONOBLOCK BOOM



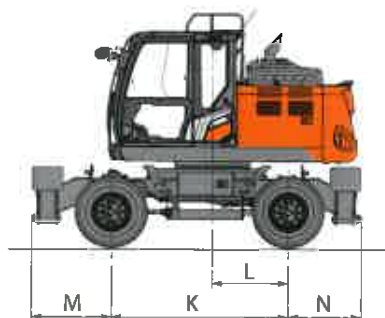
#### 2-PIECE BOOM



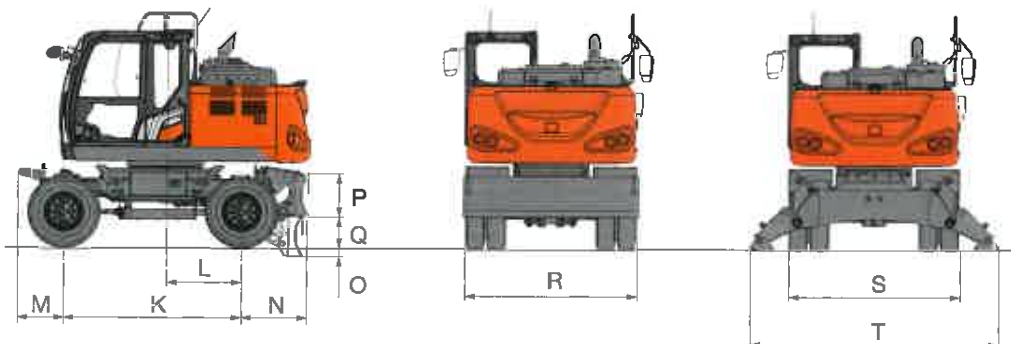
#### FRONT BLADE AND REAR OUTRIGGER



#### FRONT AND REAR OUTRIGGER



#### REAR BLADE

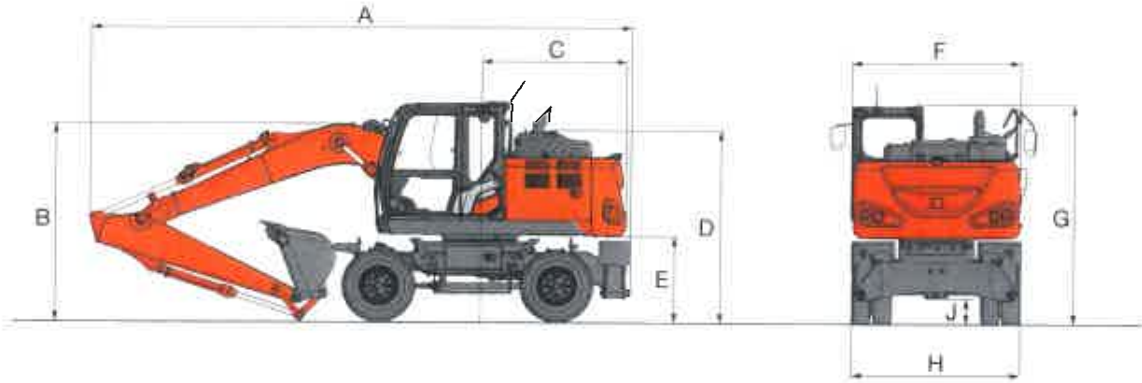


# SPECIFICATIONS

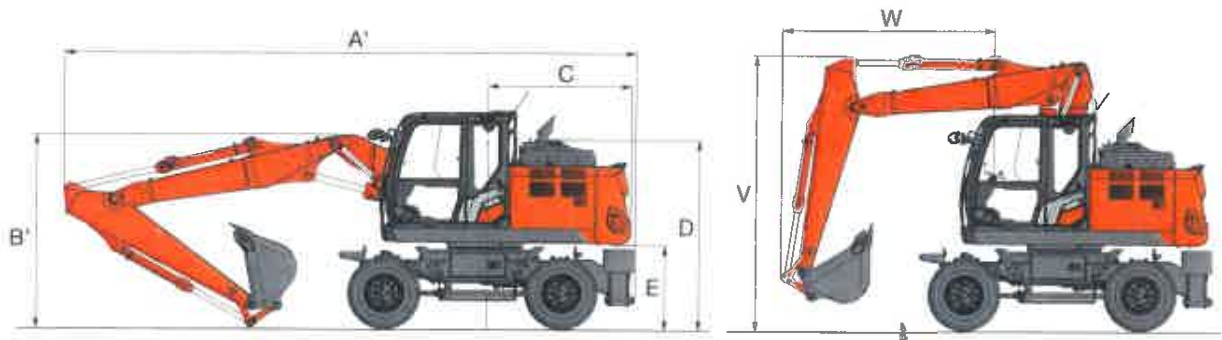
ZX150W-7

## DIMENSIONS

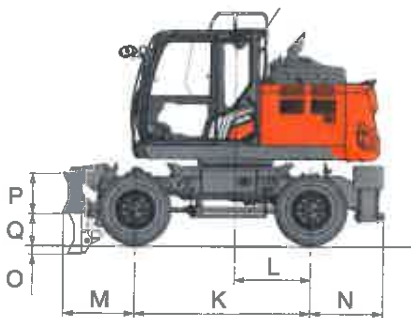
### MONOBLOCK BOOM



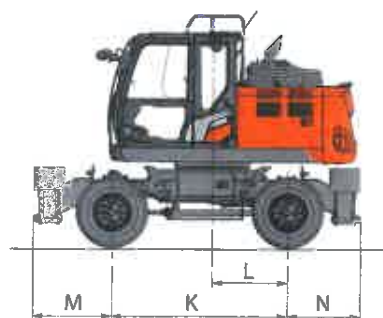
### 2-PIECE BOOM



### FRONT BLADE AND REAR OUTRIGGER



### FRONT AND REAR OUTRIGGER



### REAR BLADE

